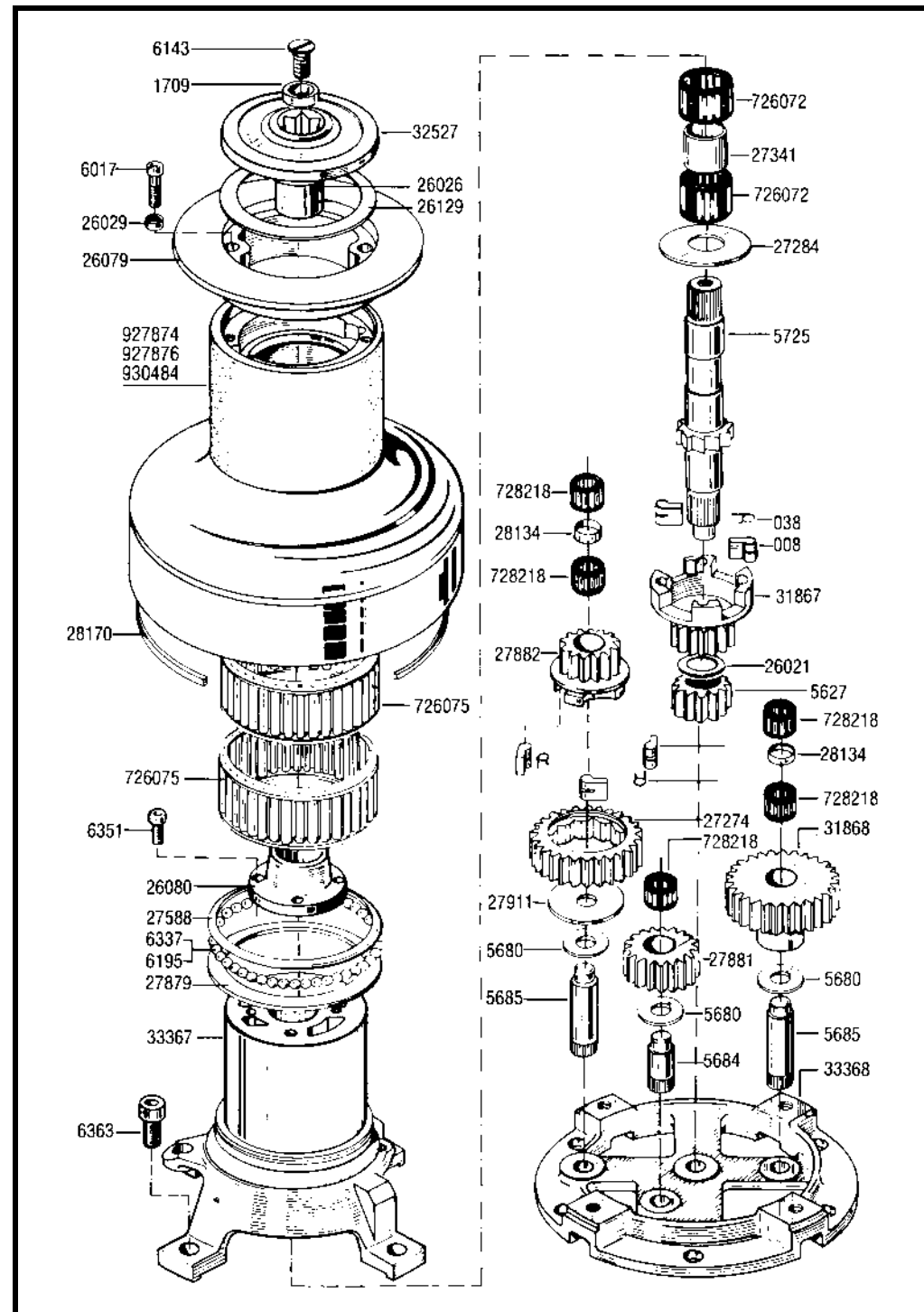


53.2

Two Speed Winch

53.3 Three Speed Winch

HARKEN®



When ordering parts for service, please include a "B" before each number (i.e. B008).

Tools

Tools Required

Allen Wrench (6mm)
Allen Wrench (5mm for Self-Tailing)
Screwdriver
Plastic Head Hammer or Mallet
Small Knife
Brush
Rags
Solvent
Oil
Grease

Two Speed 53.2

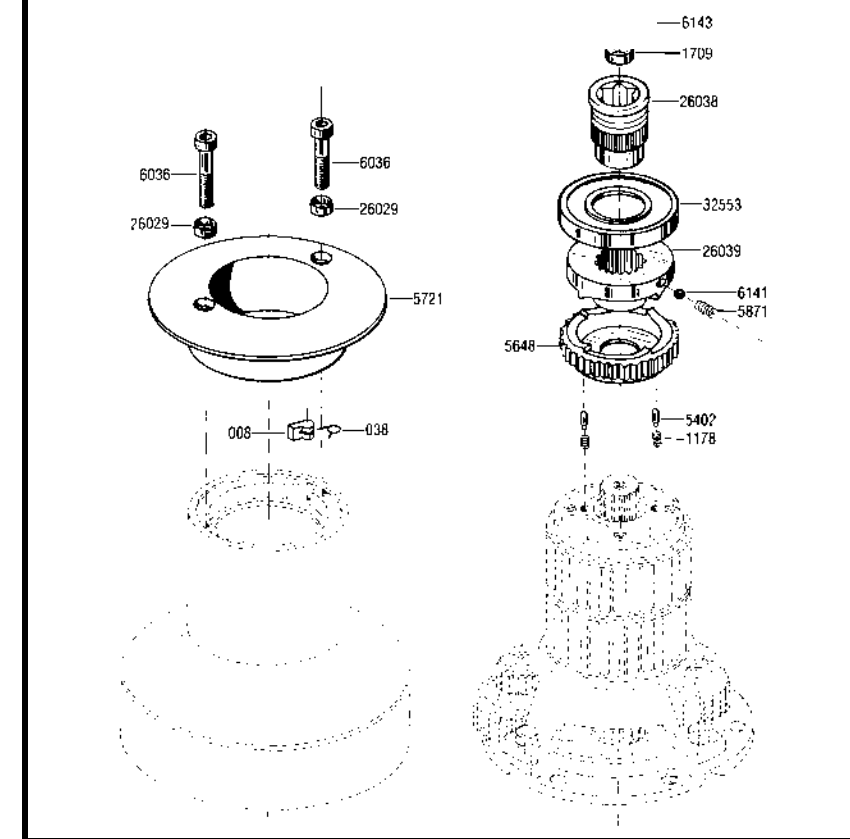
Parts List

008	Pawl
038	Pawl Spring
1709	Plastic Washer
5627	Gear
5680	Washer
5684	Gear Shaft
5685	Gear Shaft
5725	Spindle
6017	Screw
6143	Top Screw
6195	Delrin Ball
6337	Stainless Steel Ball
6351	Screw
6363	Screw
26021	Washer
26026	Handle Socket
26029	Washer
26079	Drum Crown
26080	Stem Cap
26129	Plastic Washer
27274	Ratchet Gear
27284	Washer
27341	Bearing Spacer
27588	Thrust Bearing
27879	Thrust Washer
27881	Gear
27882	Pawl Gear
27911	Cover Plate
28134	Bearing Spacer
28170	Red Line Ring
31867	Pawl Gear
31868	Gear
32527	Top Cap
33367	Center Stem
33368	Base
726072	Bearing
726075	Bearing
728218	Bearing
927874	Aluminum Drum
927876	Chrome Drum
930484	Bronze Drum

Suggested Service Kits

BK4512	10 Pawls 008
	10 Springs 038
BK4513	100ml Grease

Three Speed 53.3



Self-Tailing 53.2st

Parts List

1709	Plastic Washer
6068	Screw
6069	O - Ring
6106	Ball (32 required)
6143	Top Screw
6246	Screw
6351	Screw
26029	Washer
26732	Roller
27696	Handle Socket
27699	Washer
32375	Guide Ring
32539	Top Cap
33606	Upper Jaw
33607	Lower Jaw
33608	Adjusting Castle
33610	Drum Crown
33667	Shimming Washer
33702	Spring
33707	Stripper Arm Support
33708	Chrome Stripper Arm
33751	Spring
33753	Line Peeler
33790	Roller Shaft
33898	Bushing
933708	Chrome Stripper Arm Assembly

Suggested Service Kits

BK4512	10 Pawls 008
	10 Springs 038
BK4513	100ml Grease

Three Speed 53.3

Parts List

008	Pawl
038	Pawl Spring
1178	Stop Pin Spring
1709	Plastic Washer
5402	Stop Pin
5648	Lower Drive Ring
5721	Drum Crown
5871	Ball Spring
6036	Screw
6141	Detente Ball
6143	Top Screw
26029	Plastic Washer
26038	Handle Socket
26039	Upper Drive Ring
32553	Top Cap

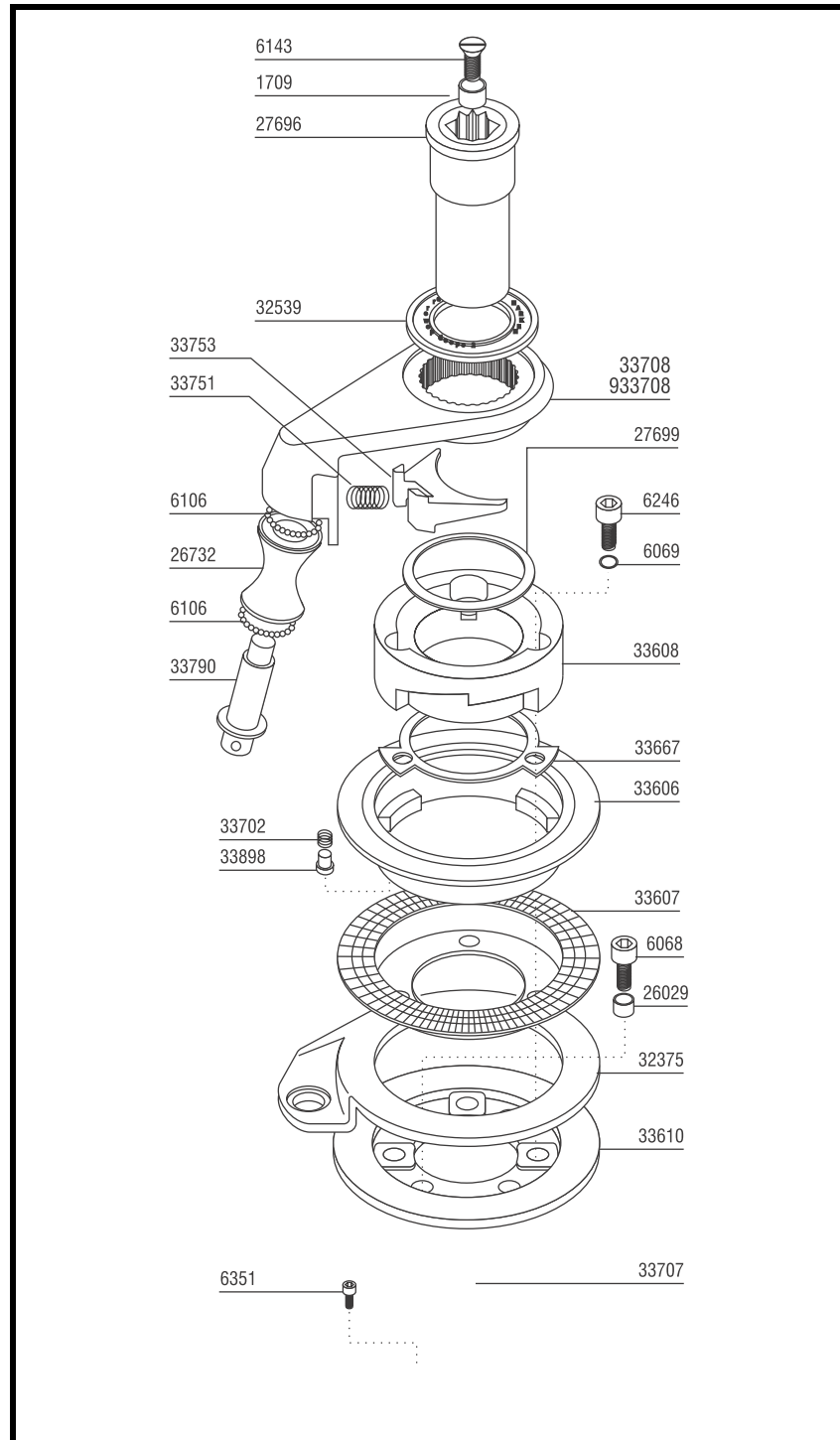
Suggested Service Kits

BK4512	10 Pawls 008
	10 Springs 038
BK4513	100ml Grease

53.2st

Two Speed Self-Tailing Winch

Winch Parts and Service Instructions



Recommended Service Cycle – Service winch before the sailing season and once during.

Adjusting Self-Tailer

If lines slip in the self-tailer, be sure that there are four or five wraps on the drum, then consider closing the jaws by pressing down on the upper jaw 33606 and turning counterclockwise.

The 33667 shimming washer must be removed to use small line.

The winch is more efficient when the jaw opening matches line size, so close the jaws only if you are using smaller line.

Positioning Stripper Arm

Loosen top screw
Remove handle socket
Lift stripper arm and position as desired

Opening Winch

Remove top screw
Lift off drum
On three speed winches, lift off three speed mechanism with handle socket
On self-tailing winches, lift off stripper arm with drum

Servicing Winch

Remove bearings from center stem
Drum support bearing 27588/6337/27879 can not be removed; clean with solvent and lubricate lightly with grease
Remove allen screws holding center stem to base
Remove center stem carefully
Remove pawls and springs - service as below
Remove all bearings, gear shafts and gears
Clean all parts with rags and solvent
Use a brush to lubricate all gears, gear shafts, bearings, teeth and all moving parts lightly with grease
Replace pawls and springs and lubricate lightly with oil
Reassemble and dose winch

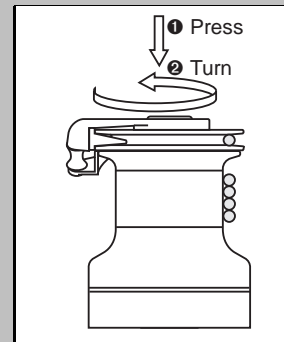
Servicing Pawls

Catch spring with knife and hold against pawl
Lift out pawl
Clean and check for wear
Place spring against pawl with straight leg against pawl
Hold spring closed and slip pawl into pawl socket
Lubricate pawls using oil

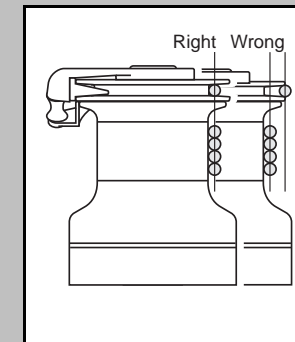
Fitting on Boat

Make sure mounting surface is flat
Check sheet entry angle
Open winch
Position winch on deck with drive gear where sheet enters winch drum and mark holes
Remove winch and drill holes
Mount using six 5/16" (8mm) flat head machine screws
Apply bedding compound and bolt winch to boat
Clean excess bedding compound from base drain holes
Lubricate and reassemble winch

Adjusting Self-Tailer



Press and turn to adjust self-tailer.



Correct opening: Sheet fits completely into jaw and rests against drum.

Servicing Winch



Clean all parts with solvent.



Attention: Ratchet gear mounted backwards will cause winch to slip.

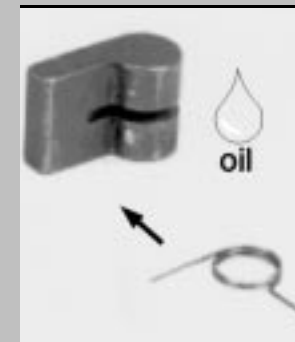


Grease lightly and spread grease evenly. Use a brush.

Servicing Pawls

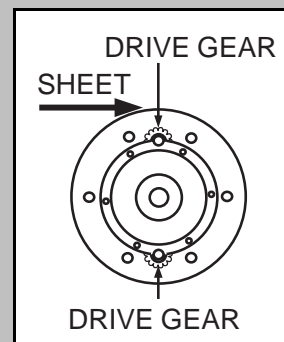


Use knife to free captive spring.

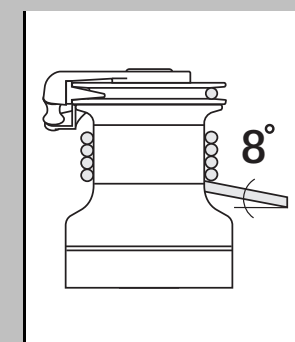


Insert spring with straight leg against pawl. Use oil for lubrication.

Fitting on Boat



Position stainless steel drive gear where sheet enters winch drum.



Sheet entry angle must be at least 8°.